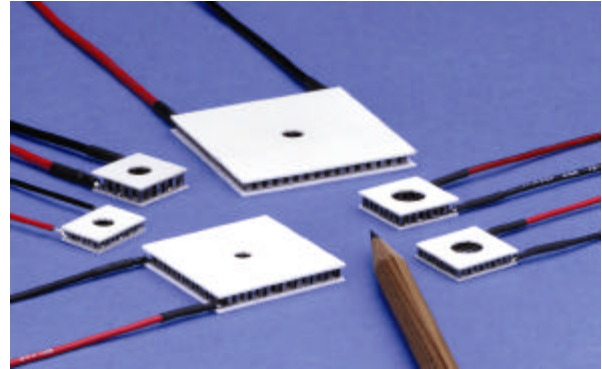
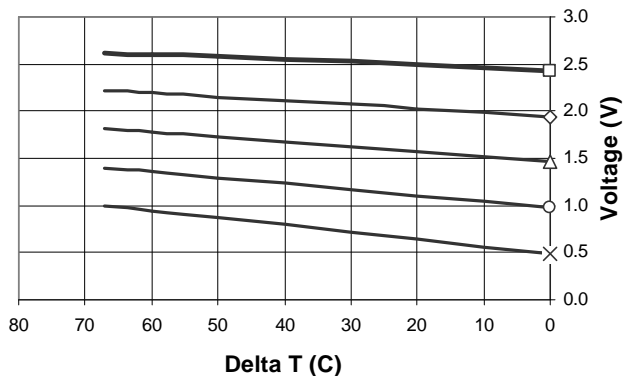


Performance Specifications

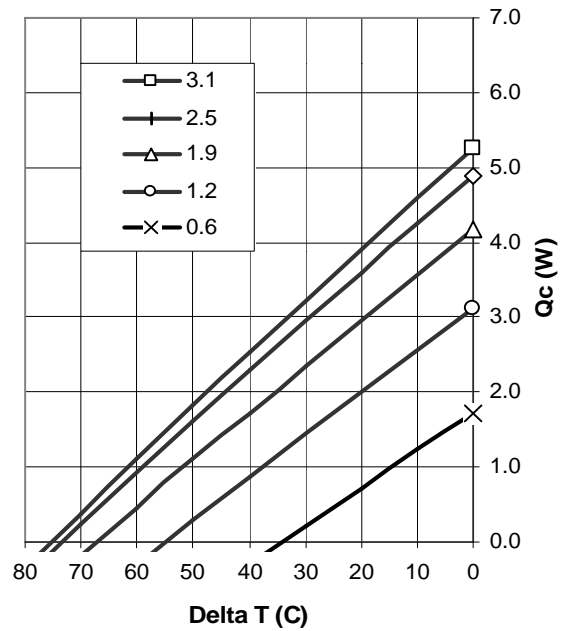
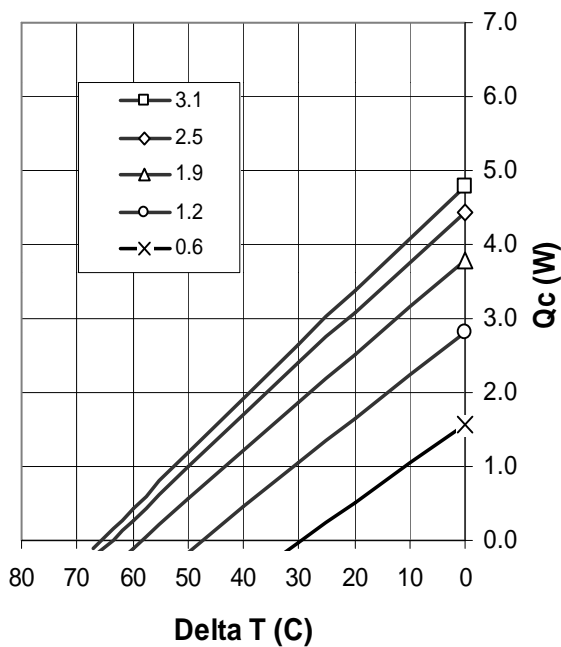
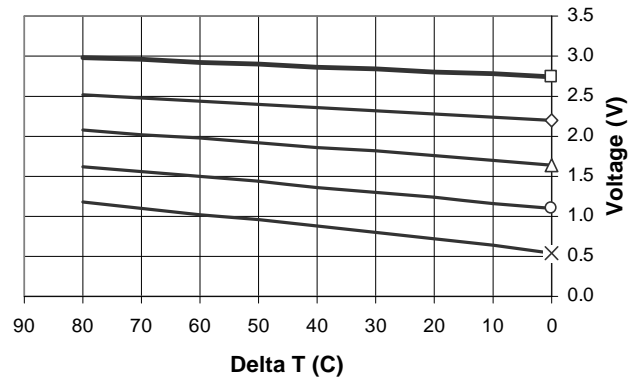
Hot Side Temperature (°C)	25 °C	50 °C
Qmax (Watts)	4.7	5.26
Delta Tmax (°C)	67	77
I _{max} (Amps)	3.0	3.086
V _{max} (Volts)	2.8	2.96
Module Resistance (Ohms)	0.787	0.887



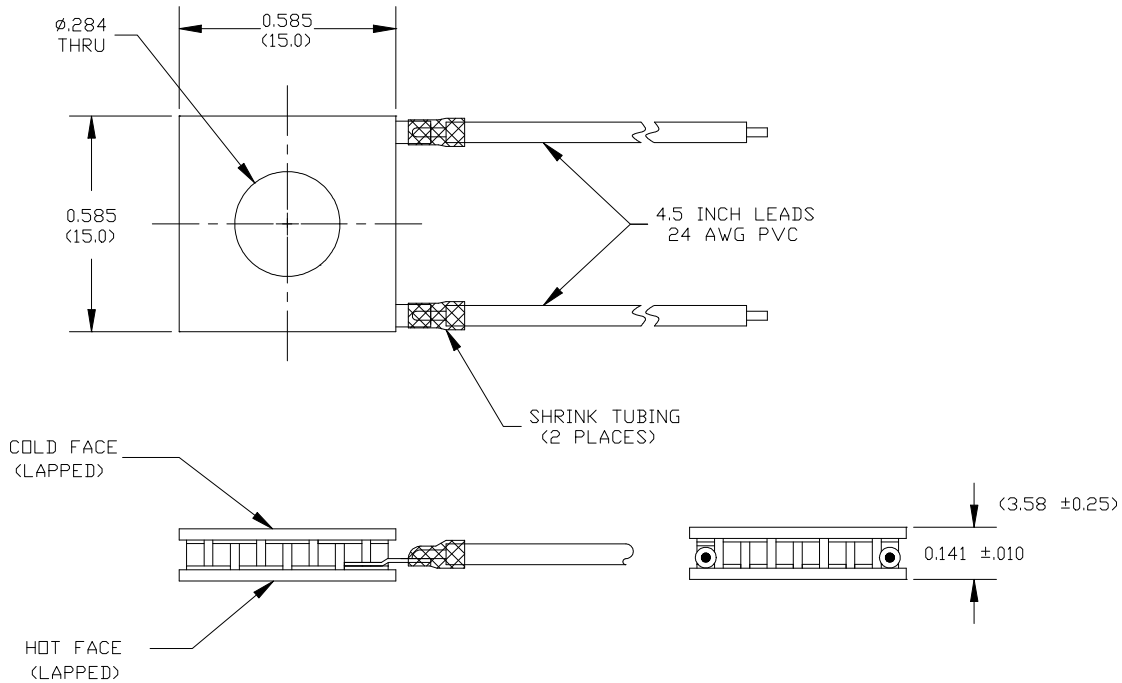
Performance Curves – Th = 25°C



Performance Curves – Th = 50°C



Mechanical Drawing



Dimensions: Inches (millimeters)
 Ceramic Material: Alumina (Al_2O_3)
 Solder Construction: $138^\circ C$, Bismuth Tin (BiSn)

Thickness & Surface Finish Specifications

Suffix	Thickness (Prior to Tinning)	Flatness & Parallelism	Hot Face	Cold Face	Lead Length
L	$0.141" \pm 0.010"$	$0.0015" / 0.0015"$	Lapped	Lapped	4.5"
L-1	$0.141" \pm 0.001"$	$0.001" / 0.001"$	Lapped	Lapped	4.5"
L-2	$0.141" \pm 0.0005"$	$0.0005" / 0.0005"$	Lapped	Lapped	4.5"
MM	$0.149" \pm 0.010"$	$0.002" / 0.002"$	Metallized	Metallized	4.5"

Storage and Operation Tips

- Max Operating Temperature: $80^\circ C$
- Do not exceed I_{max} or V_{max} when operating module.
- Please consult Melcor for available moisture and corrosion protection options

Page Intentionally
Left Blank



For additional information please contact Melcor:

INTERNET: www.melcor.com

ONLINE STORE: www.store.melcor.com

E-MAIL: tecooler@melcor.com

N. AMERICA: Melcor Corp., 1040 Spruce Street, Trenton, NJ 08648

Phone: (609) 393-4178, Fax: (609) 393-9461

For a worldwide distributor listing please visit our Global Sales Office web page at

<http://www.melcor.com/global.html>

Melcor and the Melcor logo are trademarks of Melcor Coporation.